

Q.1 The loss factor of a power plant is applicable for:

- Ans
- 1. iron losses
  - 2. iron and copper losses
  - 3. parasitic loss
  - 4. copper losses

Question ID : 762857230  
 Option 1 ID : 762857917  
 Option 2 ID : 762857919  
 Option 3 ID : 762857920  
 Option 4 ID : 762857918  
 Status : Answered  
 Chosen Option : 2

Q.2 Beaufort number is related to which of the following renewable energy sources?

- Ans
- 1. Wind energy
  - 2. Tidal energy
  - 3. Biogas
  - 4. Solar energy

Question ID : 762857259  
 Option 1 ID : 7628571034  
 Option 2 ID : 7628571036  
 Option 3 ID : 7628571035  
 Option 4 ID : 7628571033  
 Status : Answered  
 Chosen Option : 3

Q.3 The algorithm used to extract maximum power from solar PV is known as:

- Ans
- 1. MPPT
  - 2. MMPP
  - 3. PMMT
  - 4. MMMT

Question ID : 762857237  
 Option 1 ID : 762857945  
 Option 2 ID : 762857948  
 Option 3 ID : 762857946  
 Option 4 ID : 762857947  
 Status : Answered  
 Chosen Option : 1

Q.4 Which of the following is true for an RC circuit if I is the capacitor current and V is the voltage across capacitor?

- Ans
- 1.  $V(0+) < V(0-)$
  - 2.  $I(0+) = I(0-)$
  - 3.  $V(0+) = V(0-)$
  - 4.  $I(0+) > I(0-)$

Question ID : 762857213  
 Option 1 ID : 762857852  
 Option 2 ID : 762857849  
 Option 3 ID : 762857851  
 Option 4 ID : 762857850  
 Status : Answered  
 Chosen Option : 3

Q.5 In a DC/AC instrument the deflection is proportional to the:

- Ans
- 1. square value of the DC current or DC voltage under measurement only
  - 2. square value of the current or voltage under measurement
  - 3. value of the current or voltage under measurement
  - 4. value of the AC current or AC voltage under measurement only

Question ID : 762857225  
 Option 1 ID : 762857899  
 Option 2 ID : 762857898  
 Option 3 ID : 762857897  
 Option 4 ID : 762857900  
 Status : Answered  
 Chosen Option : 2

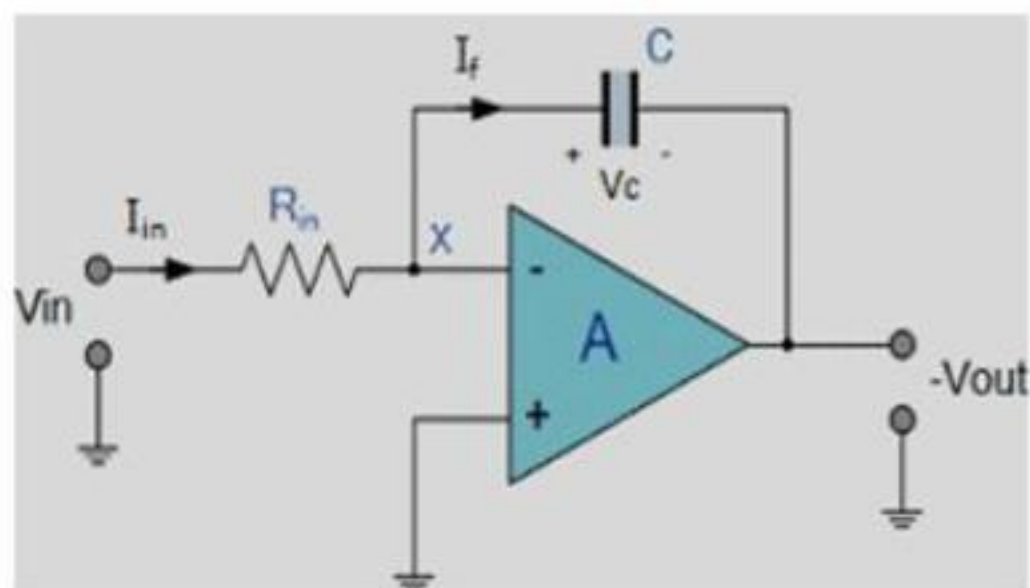
Q.6 Which of the following techniques is used to provide damping torque in indicating instruments?

- Ans
- 1. R Damping
  - 2. RLC Damping
  - 3. Thermal Damping
  - 4. Fluid Friction Damping

Question ID : 762857221  
 Option 1 ID : 762857881  
 Option 2 ID : 762857883  
 Option 3 ID : 762857884  
 Option 4 ID : 762857882  
 Status : Answered  
 Chosen Option : 4



Q.7



If the output of the circuit is a 'triangular wave', the input of the circuit must be:

- Ans
- 1. Sine wave
  - 2. Step signal
  - 3. Square wave
  - 4. Triangular wave

Question ID : 762857249  
 Option 1 ID : 762857995  
 Option 2 ID : 762857993  
 Option 3 ID : 762857996  
 Option 4 ID : 762857994  
 Status : Answered  
 Chosen Option : 3

Q.8 If  $n$  = number of times voltage rating is increased, then for a distributor design, the conductor size reduces by \_\_\_\_\_ of the original.

- Ans
- 1.  $\frac{1}{n^2}$
  - 2.  $\frac{1}{n^3}$
  - 3.  $\frac{1}{n^4}$
  - 4.  $\frac{1}{n}$

Question ID : 762857251  
 Option 1 ID : 7628571002  
 Option 2 ID : 7628571003  
 Option 3 ID : 7628571004  
 Option 4 ID : 7628571001  
 Status : Answered  
 Chosen Option : 1

Q.9 In a single-phase split-phase induction motor, the main winding has:

- Ans
- 1. low resistance and low inductive reactance
  - 2. high resistance and high inductive reactance
  - 3. low resistance and high inductive reactance
  - 4. high resistance and low inductive reactance

Question ID : 762857218  
 Option 1 ID : 762857872  
 Option 2 ID : 762857871  
 Option 3 ID : 762857869  
 Option 4 ID : 762857870  
 Status : Answered  
 Chosen Option : 3

Q.10 For a step down DC-DC converter, if  $R$  is the load resistor connected at the output and  $D$  is the duty cycle, the effective input resistance seen by the source is:

- Ans
- 1.  $D \times D \times R$
  - 2.  $R/D$
  - 3.  $D \times R$
  - 4.  $D/R$

Question ID : 762857234  
 Option 1 ID : 762857936  
 Option 2 ID : 762857933  
 Option 3 ID : 762857935  
 Option 4 ID : 762857934  
 Status : Answered  
 Chosen Option : 2

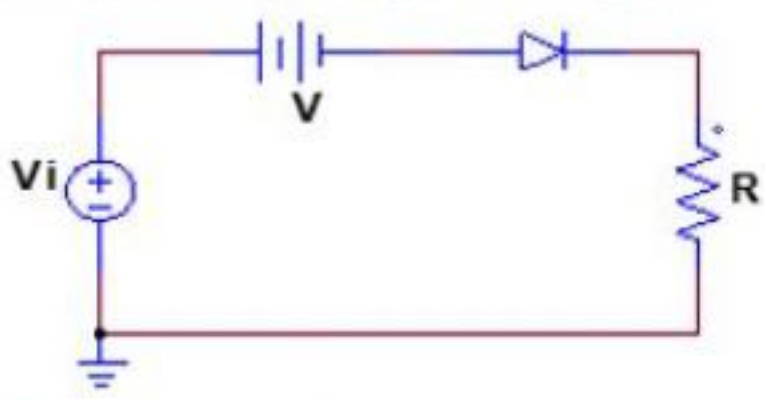
Q.11 For a three-phase induction motor, the rotor copper loss is equal to:

- Ans
- 1. Slip  $\times$  Power Input to rotor/frequency
  - 2. Slip/Power Input to rotor
  - 3. Slip  $\times$  Power Input to rotor
  - 4. Power Input to rotor

Question ID : 762857217  
 Option 1 ID : 762857868  
 Option 2 ID : 762857865  
 Option 3 ID : 762857866  
 Option 4 ID : 762857867  
 Status : Answered  
 Chosen Option : 3



Q.12 The circuit in the given image is:



- Ans
- 1. Parallel Clamper with DC supply
  - 2. Series Clipper with DC supply
  - 3. Series Clamper with DC supply
  - 4. Parallel Clipper with DC supply

Question ID : 762857227  
Option 1 ID : 762857908  
Option 2 ID : 762857905  
Option 3 ID : 762857907  
Option 4 ID : 762857906  
Status : Answered  
Chosen Option : 2

Q.13 An electrical circuit which is operating at a certain frequency has impedance of  $(10-j10) \Omega$ . If the frequency is made 200% of the original frequency then the new value of impedance is \_\_\_\_\_.

- Ans
- 1.  $(10-j5) \Omega$
  - 2.  $(10-j10) \Omega$
  - 3.  $(20-j10) \Omega$
  - 4.  $(20-j20) \Omega$

Question ID : 762857245  
Option 1 ID : 762857977  
Option 2 ID : 762857978  
Option 3 ID : 762857980  
Option 4 ID : 762857979  
Status : Answered  
Chosen Option : 1

Q.14 Self-inductance of the conductor is one of the reasons for:

- Ans
- 1. Skin effect
  - 2. Ferranti effect
  - 3. Stroboscopic effect
  - 4. Corona effect

Question ID : 762857250  
Option 1 ID : 762857997  
Option 2 ID : 762857999  
Option 3 ID : 7628571000  
Option 4 ID : 762857998  
Status : Answered  
Chosen Option : 2

Q.15 An 'X' pole, 50 Hz alternator is driven by a 60 Hz synchronous motor. Calculate the number of poles for the synchronous motor.

- Ans
- 1.  $2.4/X$
  - 2.  $1.2X$
  - 3.  $1.2/X$
  - 4.  $2.4X$

Question ID : 762857246  
Option 1 ID : 762857983  
Option 2 ID : 762857982  
Option 3 ID : 762857984  
Option 4 ID : 762857981  
Status : Answered  
Chosen Option : 2

Q.16 Impulse ratio is calculated for which of the following?

- Ans
- 1. Transformer
  - 2. Circuit breaker
  - 3. Relay
  - 4. Lightning arrester

Question ID : 762857254  
Option 1 ID : 7628571015  
Option 2 ID : 7628571013  
Option 3 ID : 7628571014  
Option 4 ID : 7628571016  
Status : Answered  
Chosen Option : 4



Q.17 The technical standard parameter known as safety standard for grid connected inverter is called:

- Ans
- 1. Open Circuit Protection
  - 2. Short Circuit Protection
  - 3. LVRT Protection
  - 4. Anti-Islanding Protection

Question ID : 762857238  
Option 1 ID : 762857952  
Option 2 ID : 762857951  
Option 3 ID : 762857950  
Option 4 ID : 762857949  
Status : Not Answered  
Chosen Option : --

Q.18 A single-phase three-wire AC source will have:

- Ans
- 1. one output terminal
  - 2. three output terminals
  - 3. four output terminals
  - 4. two output terminals

Question ID : 762857215  
Option 1 ID : 762857857  
Option 2 ID : 762857859  
Option 3 ID : 762857860  
Option 4 ID : 762857858  
Status : Answered  
Chosen Option : 2

Q.19 The complete response for analysis of any circuit is:

- Ans
- 1. only its natural response
  - 2. only its natural and forced response
  - 3. the sum of natural, forced and transient responses
  - 4. only its forced response

Question ID : 762857211  
Option 1 ID : 762857841  
Option 2 ID : 762857843  
Option 3 ID : 762857844  
Option 4 ID : 762857842  
Status : Answered  
Chosen Option : 2

Q.20 In polyphase AC circuits, the phase sequence RYB is the same as \_\_\_\_\_.

- Ans
- 1. BYR phase sequence
  - 2. YBR phase sequence
  - 3. YRB phase sequence
  - 4. RBY phase sequence

Question ID : 762857242  
Option 1 ID : 762857966  
Option 2 ID : 762857968  
Option 3 ID : 762857967  
Option 4 ID : 762857965  
Status : Answered  
Chosen Option : 2

Q.21 Demultiplexer circuit is:

- Ans
- 1. an encoder circuit
  - 2. an encoder circuit with enable input
  - 3. a decoder circuit with enable input
  - 4. a decoder circuit

Question ID : 762857228  
Option 1 ID : 762857910  
Option 2 ID : 762857912  
Option 3 ID : 762857911  
Option 4 ID : 762857909  
Status : Answered  
Chosen Option : 3

Q.22 Capacitor potential transformers are used to measure voltages:

- Ans
- 1. below 50 kV
  - 2. above 1000 kV
  - 3. above 100 kV
  - 4. below 10 kV

Question ID : 762857224  
Option 1 ID : 762857896  
Option 2 ID : 762857895  
Option 3 ID : 762857893  
Option 4 ID : 762857894  
Status : Answered  
Chosen Option : 3

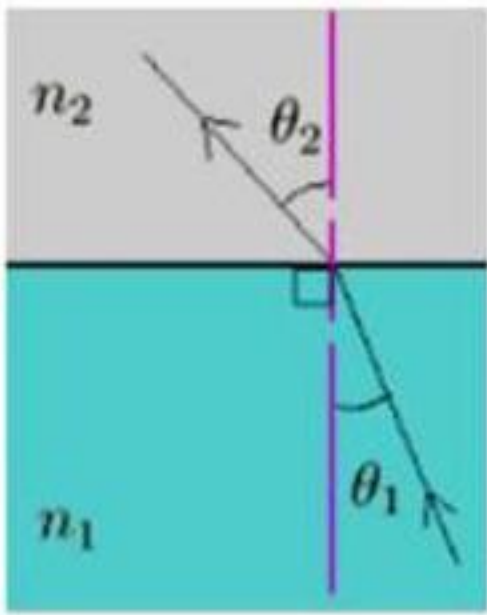


Q.23 Which of the following is used for voltage regulation?

- Ans
- 1. Diode
  - 2. IGBT
  - 3. Transistor
  - 4. Zener Diode

Question ID : 762857226  
Option 1 ID : 762857901  
Option 2 ID : 762857903  
Option 3 ID : 762857902  
Option 4 ID : 762857904  
Status : Answered  
Chosen Option : 4

Q.24



For the given figure, according to Snell's law,  $\frac{\sin \theta_1}{\sin \theta_2} = ?$

- Ans
- 1.  $n_2/n_1$
  - 2.  $n_1$
  - 3.  $n_2$
  - 4.  $n_1/n_2$

Question ID : 762857258  
Option 1 ID : 7628571029  
Option 2 ID : 7628571031  
Option 3 ID : 7628571032  
Option 4 ID : 7628571030  
Status : Answered  
Chosen Option : 1

Q.25 A solar cell converts energy of light into electricity by:

- Ans
- 1. chemical effect
  - 2. atmospheric effect
  - 3. photovoltaic effect
  - 4. physical effect

Question ID : 762857239  
Option 1 ID : 762857953  
Option 2 ID : 762857956  
Option 3 ID : 762857954  
Option 4 ID : 762857955  
Status : Answered  
Chosen Option : 3

Q.26 The most economical area of the conductor is based on:

- Ans
- 1. Ampere's law
  - 2. Coulomb's law
  - 3. Kelvin's law
  - 4. Faraday's law

Question ID : 762857252  
Option 1 ID : 7628571008  
Option 2 ID : 7628571005  
Option 3 ID : 7628571006  
Option 4 ID : 7628571007  
Status : Answered  
Chosen Option : 3

Q.27 Which of the following plants is a non-conventional source of energy?

- Ans
- 1. Water
  - 2. Boiler
  - 3. Thermal
  - 4. Solar

Question ID : 762857236  
Option 1 ID : 762857943  
Option 2 ID : 762857944  
Option 3 ID : 762857941  
Option 4 ID : 762857942  
Status : Answered  
Chosen Option : 4



Q.28 In D flip flop the present state is 1. What will be the next state of output at the complement end?

- Ans
- 1. 01
  - 2. 1
  - 3. 0
  - 4. 11

Question ID : 762857229  
Option 1 ID : 762857916  
Option 2 ID : 762857913  
Option 3 ID : 762857914  
Option 4 ID : 762857915  
Status : Answered  
Chosen Option : 3

Q.29 If  $D$  is the duty ratio, the input and output relation of a buck converter and boost converter are:

- Ans
- 1.  $V_{out} = D V_{in}$  and  $V_{out} = \frac{1}{1+D} V_{in}$
  - 2.  $V_{out} = D V_{in}$  and  $V_{out} = \frac{D}{1-D} V_{in}$
  - 3.  $V_{out} = D V_{in}$  and  $V_{out} = \frac{1}{1-D} V_{in}$
  - 4.  $V_{out} = \frac{D}{1+D} v_{in}$  and  $V_{out} = \frac{1}{1-D} V_{in}$

Question ID : 762857256  
Option 1 ID : 7628571021  
Option 2 ID : 7628571024  
Option 3 ID : 7628571022  
Option 4 ID : 7628571023  
Status : Answered  
Chosen Option : 3

Q.30 Which material is used for making arcing contacts of circuit breakers?

- Ans
- 1. Aluminium alloy
  - 2. Electrolytic copper
  - 3. Copper tungsten alloy
  - 4. Porcelain

Question ID : 762857232  
Option 1 ID : 762857925  
Option 2 ID : 762857927  
Option 3 ID : 762857926  
Option 4 ID : 762857928  
Status : Answered  
Chosen Option : 3

Q.31 Which of the following is a drawback of tidal power?

- Ans
- 1. Predictable energy output
  - 2. Maintenance and repair of equipment
  - 3. Running cost is cheap
  - 4. Protects coastal flooding

Question ID : 762857260  
Option 1 ID : 7628571037  
Option 2 ID : 7628571040  
Option 3 ID : 7628571038  
Option 4 ID : 7628571039  
Status : Answered  
Chosen Option : 2

Q.32 The D'Arsonval Galvanometer is a:

- Ans
- 1. DC moving magnet galvanometer
  - 2. AC moving magnet galvanometer
  - 3. AC moving coil galvanometer
  - 4. DC moving coil galvanometer

Question ID : 762857222  
Option 1 ID : 762857886  
Option 2 ID : 762857888  
Option 3 ID : 762857887  
Option 4 ID : 762857885  
Status : Answered  
Chosen Option : 4



Q.32 The D'Arsonval Galvanometer is a:

- Ans
- 1. DC moving magnet galvanometer
  - 2. AC moving magnet galvanometer
  - 3. AC moving coil galvanometer
  - 4. DC moving coil galvanometer

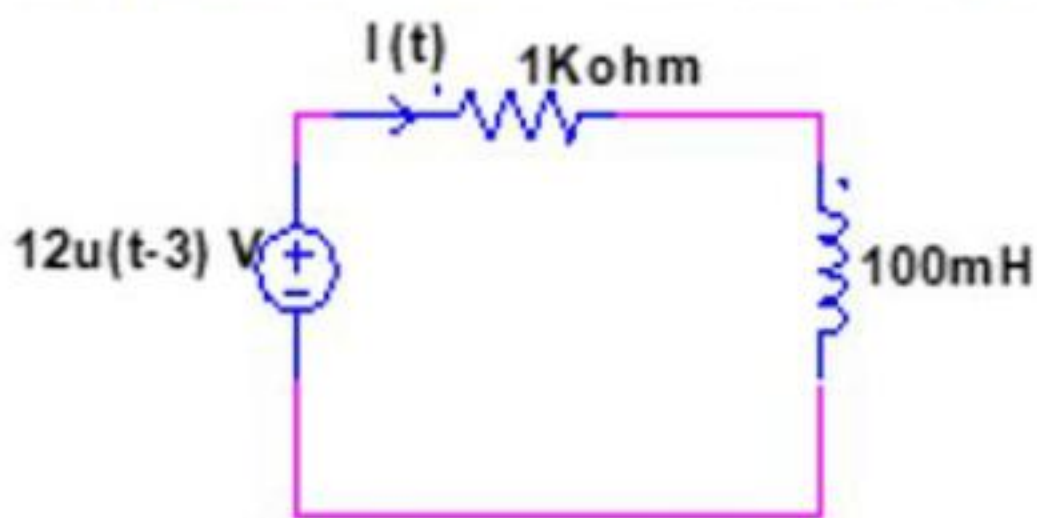
Question ID : 762857222  
Option 1 ID : 762857886  
Option 2 ID : 762857888  
Option 3 ID : 762857887  
Option 4 ID : 762857885  
Status : Answered  
Chosen Option : 4

Q.33 In a high voltage transmission, whenever the conductors are dead-ended or there is a change in the direction of the transmission line, the insulators used are of the:

- Ans
- 1. Pin type
  - 2. Shackle type
  - 3. Suspension type
  - 4. Strain type

Question ID : 762857253  
Option 1 ID : 7628571010  
Option 2 ID : 7628571009  
Option 3 ID : 7628571011  
Option 4 ID : 7628571012  
Status : Answered  
Chosen Option : 4

Q.34 In the given figure, the value of current  $I(\infty)$  is: (t is time)



- Ans
- 1.  $\frac{66}{1000}$  A
  - 2.  $\frac{120}{1000}$  A
  - 3.  $\frac{8.33}{1000}$  A
  - 4.  $\frac{12}{1000}$  A

Question ID : 762857212  
Option 1 ID : 762857846  
Option 2 ID : 762857847  
Option 3 ID : 762857848  
Option 4 ID : 762857845  
Status : Answered  
Chosen Option : 4

Q.35 Load duration curve is the plot between:

- Ans
- 1. load and time
  - 2. load and voltage
  - 3. load and temperature
  - 4. load and frequency

Question ID : 762857231  
Option 1 ID : 762857921  
Option 2 ID : 762857923  
Option 3 ID : 762857924  
Option 4 ID : 762857922  
Status : Answered  
Chosen Option : 1

Q.36 An oscilloscope shows peak-to-peak amplitude of 8 cm for a measured sinusoidal voltage waveform with vertical sensitivity nob set to 8 V/cm. The average value of the voltage is:

- Ans
- 1. 10.19 V
  - 2. 20.37 V
  - 3. 40.74 V
  - 4. 2.55 V

Question ID : 762857247  
Option 1 ID : 762857985  
Option 2 ID : 762857986  
Option 3 ID : 762857988  
Option 4 ID : 762857987  
Status : Answered  
Chosen Option : 2



Q.37 With which of the following is the One Wattmeter method of three-phase power measurement possible?

- Ans
- 1. Star-connected balanced load
  - 2. Delta-connected balanced load
  - 3. Star-connected unbalanced load
  - 4. Delta-connected unbalanced load

Question ID : 762857244  
Option 1 ID : 762857973  
Option 2 ID : 762857974  
Option 3 ID : 762857975  
Option 4 ID : 762857976  
Status : Answered  
Chosen Option : 1

Q.38 What will be the effect on hysteresis loss of a transformer if the iron core is replaced with an air core?

- Ans
- 1. It will remain unchanged
  - 2. It will reduce to zero
  - 3. It will increase five times
  - 4. It will increase to infinite

Question ID : 762857220  
Option 1 ID : 762857879  
Option 2 ID : 762857880  
Option 3 ID : 762857877  
Option 4 ID : 762857878  
Status : Answered  
Chosen Option : 2

Q.39 In a hotwire instrument, which alloy is used?

- Ans
- 1. Platinum iridium
  - 2. Platinum - Lead
  - 3. Zinc - Nickel
  - 4. Platinum - Li

Question ID : 762857223  
Option 1 ID : 762857889  
Option 2 ID : 762857891  
Option 3 ID : 762857890  
Option 4 ID : 762857892  
Status : Answered  
Chosen Option : 1

Q.40 Network theorems are applicable to \_\_\_\_\_.

- Ans
- 1. AC and DC linear circuits
  - 2. DC non-linear circuits only
  - 3. AC non-linear circuits only
  - 4. AC linear circuits only

Question ID : 762857240  
Option 1 ID : 762857960  
Option 2 ID : 762857958  
Option 3 ID : 762857959  
Option 4 ID : 762857957  
Status : Answered  
Chosen Option : 1

Q.41 The cyclo converter is used for:

- Ans
- 1. DC-AC conversion
  - 2. AC-AC conversion
  - 3. DC-DC conversion
  - 4. AC-DC conversion

Question ID : 762857235  
Option 1 ID : 762857940  
Option 2 ID : 762857939  
Option 3 ID : 762857937  
Option 4 ID : 762857938  
Status : Answered  
Chosen Option : 2

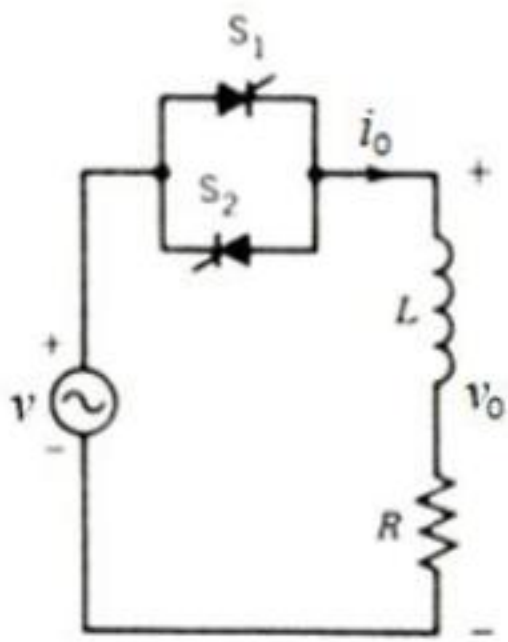
Q.42 With which of following is the cogging effect of a three-phase induction motor related?

- Ans
- 1. Voltage regulation problem
  - 2. Starting problem
  - 3. Efficiency problem
  - 4. Speed variation problem

Question ID : 762857216  
Option 1 ID : 762857864  
Option 2 ID : 762857861  
Option 3 ID : 762857863  
Option 4 ID : 762857862  
Status : Answered  
Chosen Option : 2



Q.43 Identify the given circuit based on the working principle.



- Ans
- 1. Semi-controlled rectifier
  - 2. Controlled inverter
  - 3. Fully-controlled rectifier
  - 4. AC regulator

Question ID : 762857257  
Option 1 ID : 7628571025  
Option 2 ID : 7628571028  
Option 3 ID : 7628571026  
Option 4 ID : 7628571027  
Status : Answered  
Chosen Option : 4

Q.44 For a line insulator, (puncture voltage)/(flash over voltage) is:

- Ans
- 1. equal to 1
  - 2. less than 1
  - 3. greater than 1
  - 4. equal to 0

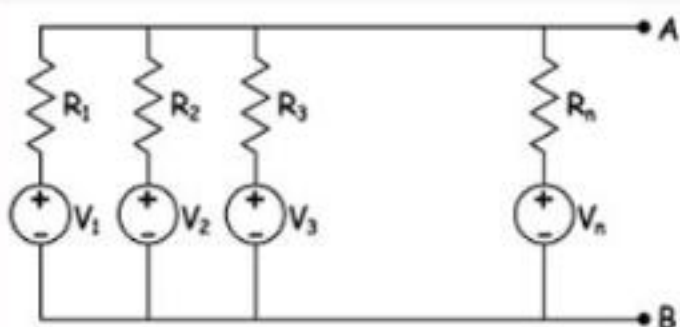
Question ID : 762857255  
Option 1 ID : 7628571018  
Option 2 ID : 7628571019  
Option 3 ID : 7628571020  
Option 4 ID : 7628571017  
Status : Answered  
Chosen Option : 3

Q.45 What is the definition of a three-phase balanced load?

- Ans
- 1. It draws power equally from all three phases with inductive type of load only
  - 2. It draws power equally from all three phases with resistive type of load only
  - 3. It draws power equally from all three phases with all types of load
  - 4. It draws power unequally from all three phases with all types of load

Question ID : 762857214  
Option 1 ID : 762857856  
Option 2 ID : 762857855  
Option 3 ID : 762857853  
Option 4 ID : 762857854  
Status : Answered  
Chosen Option : 3

Q.46



Which of the following helps in finding a single equivalent voltage source of the circuit shown in the figure?

- Ans
- 1. Thevenin's theorem
  - 2. Norton's theorem
  - 3. Millman's theorem
  - 4. Reciprocity theorem

Question ID : 762857241  
Option 1 ID : 762857962  
Option 2 ID : 762857963  
Option 3 ID : 762857964  
Option 4 ID : 762857961  
Status : Answered  
Chosen Option : 3

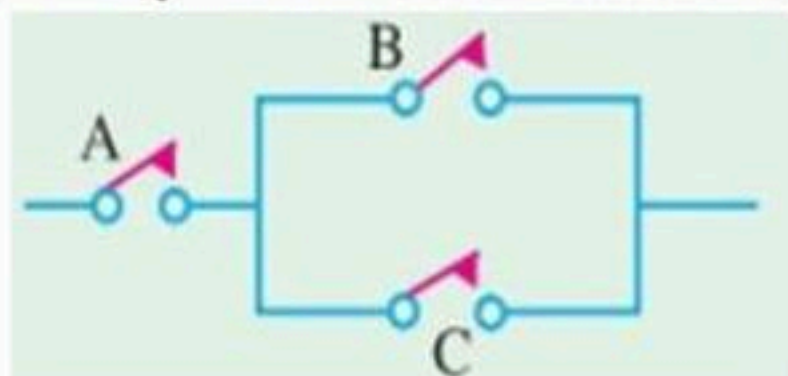


Q.47 For which of the following reasons is a DC injection used in a three-phase induction motor?

- Ans
- 1. For dynamic braking
  - 2. To increase the speed of the rotor
  - 3. To work as a DC motor
  - 4. To decrease of speed of the rotor

Question ID : 762857219  
Option 1 ID : 762857874  
Option 2 ID : 762857873  
Option 3 ID : 762857876  
Option 4 ID : 762857875  
Status : Answered  
Chosen Option : 1

Q.48 Identify the Boolean function for the given switching circuit.



- Ans
- 1.  $ABC$
  - 2.  $(A + B)C$
  - 3.  $A(B + C)$
  - 4.  $A + B + C$

Question ID : 762857248  
Option 1 ID : 762857990  
Option 2 ID : 762857991  
Option 3 ID : 762857989  
Option 4 ID : 762857992  
Status : Answered  
Chosen Option : 3

Q.49 A three-phase, four-wire system supplies power to a balanced star-connected load. The current in each phase is 20 A. The current in the neutral wire will be \_\_\_\_\_.

- Ans
- 1. 20 A
  - 2. 60 A
  - 3. 0
  - 4. 40 A

Question ID : 762857243  
Option 1 ID : 762857969  
Option 2 ID : 762857971  
Option 3 ID : 762857972  
Option 4 ID : 762857970  
Status : Answered  
Chosen Option : 3

Q.50 In a Power Electronics Circuit, two diodes are connected in series to:

- Ans
- 1. increase the current carrying capacity of diodes
  - 2. increase the forward voltage withstand rating of diodes
  - 3. decrease the current carrying capacity of diodes
  - 4. increase the reverse blocking voltage withstand of diodes

Question ID : 762857233  
Option 1 ID : 762857929  
Option 2 ID : 762857930  
Option 3 ID : 762857932  
Option 4 ID : 762857931  
Status : Answered  
Chosen Option : 4



Q.1 निम्नलिखित में से कौन सी पुस्तक हर्षवर्धन द्वारा संकलित/लिखित नहीं है?

- Ans
- 1. नागानन्द
  - 2. हर्षचरित
  - 3. रत्नावली
  - 4. प्रियदर्शिका

Question ID : 762857264  
Option 1 ID : 7628571053  
Option 2 ID : 7628571056  
Option 3 ID : 7628571054  
Option 4 ID : 7628571055  
Status : Answered  
Chosen Option : 2

Q.2 आमेर का किला किस पर्वतमाला की एक पहाड़ी पर बना है?

- Ans
- 1. पश्चिमी मैदान
  - 2. विंध्याचल पर्वतमाला
  - 3. मालवा का पठार
  - 4. अरावली पर्वतमाला

Question ID : 762857267  
Option 1 ID : 7628571068  
Option 2 ID : 7628571066  
Option 3 ID : 7628571067  
Option 4 ID : 7628571065  
Status : Answered  
Chosen Option : 4

Q.3 'वेल्थ ऑफ नेशंस' नामक पुस्तक के लेखक कौन हैं?

- Ans
- 1. मार्शल
  - 2. कार्ल मार्क्स
  - 3. एडम स्मिथ
  - 4. रिकार्डो

Question ID : 762857263  
Option 1 ID : 7628571049  
Option 2 ID : 7628571051  
Option 3 ID : 7628571050  
Option 4 ID : 7628571052  
Status : Answered  
Chosen Option : 3

Q.4 What was the theme of the Human Rights Day 2019?

- Ans
- 1. Let's stand up for equality, justice and human integrity.
  - 2. Youth standing up for human rights.
  - 3. Our rights our freedom.
  - 4. Stand up for someone's rights today.

Question ID : 762857270  
Option 1 ID : 7628571077  
Option 2 ID : 7628571079  
Option 3 ID : 7628571080  
Option 4 ID : 7628571078  
Status : Answered  
Chosen Option : 1

Q.5 निम्नलिखित में से किस देश को पहले स्याम (Siam) के नाम से जाना जाता था?

- Ans
- 1. श्रीलंका
  - 2. नेपाल
  - 3. कोरिया
  - 4. थाईलैंड

Question ID : 762857265  
Option 1 ID : 7628571057  
Option 2 ID : 7628571059  
Option 3 ID : 7628571060  
Option 4 ID : 7628571058  
Status : Not Answered  
Chosen Option : --



Q.6 वर्ष 2019 के दौरान इसरो (ISRO) द्वारा वाणिज्यिक आधार पर कितने विदेशी उपग्रहों का प्रक्षेपण किया गया है?

- Ans
- 1. 50
  - 2. 45
  - 3. 35
  - 4. 40

Question ID : 762857261  
Option 1 ID : 7628571043  
Option 2 ID : 7628571044  
Option 3 ID : 7628571042  
Option 4 ID : 7628571041  
Status : Not Answered  
Chosen Option : --

Q.7 नेशनल स्टॉक एक्सचेंज ऑफ़ इंडिया (NSE) को कब निगमित किया गया था?

- Ans
- 1. 1993
  - 2. 1992
  - 3. 1995
  - 4. 1998

Question ID : 762857268  
Option 1 ID : 7628571072  
Option 2 ID : 7628571071  
Option 3 ID : 7628571070  
Option 4 ID : 7628571069  
Status : Answered  
Chosen Option : 2

Q.8 स्वच्छ सर्वेक्षण लीग, 2020 की पहली और दूसरी तिमाही के परिणामों में किस शहर ने 10 लाख से अधिक जनसंख्या वाले शहरों की श्रेणी में प्रथम स्थान प्राप्त किया है?

- Ans
- 1. भोपाल
  - 2. आगरा
  - 3. इंदौर
  - 4. सूरत

Question ID : 762857269  
Option 1 ID : 7628571073  
Option 2 ID : 7628571074  
Option 3 ID : 7628571076  
Option 4 ID : 7628571075  
Status : Answered  
Chosen Option : 3

Q.9 निम्नलिखित में से किस संस्थान के शोधकर्ताओं ने दिसंबर, 2019 में ऐसी सामग्री विकसित की है जो छोटे पैमाने पर पानी से ऊर्जा का उत्पादन कर सकती है?

- Ans
- 1. आईआईटी कानपुर
  - 2. आईआईटी दिल्ली
  - 3. आईआईटी बॉम्बे
  - 4. आईआईटी गुवाहाटी

Question ID : 762857262  
Option 1 ID : 7628571046  
Option 2 ID : 7628571047  
Option 3 ID : 7628571045  
Option 4 ID : 7628571048  
Status : Not Answered  
Chosen Option : --

Q.10 महाराणा कुम्भा \_\_\_\_\_ के शासक थे।

- Ans
- 1. जोधपुर
  - 2. मेवाड़
  - 3. जयपुर
  - 4. मारवाड़

Question ID : 762857266  
Option 1 ID : 7628571063  
Option 2 ID : 7628571061  
Option 3 ID : 7628571064  
Option 4 ID : 7628571062  
Status : Answered  
Chosen Option : 2



Q.11 As per the New Cartesian Sign Convention, the correct mirror formula is:

- Ans
- 1.  $\frac{1}{u} + \frac{1}{f} = \frac{1}{v}$
  - 2.  $\frac{1}{u} - \frac{1}{f} = \frac{1}{v}$
  - 3.  $\frac{1}{v} + \frac{1}{u} = \frac{1}{f}$
  - 4.  $\frac{1}{v} \times \frac{1}{u} = \frac{1}{f}$

Question ID : 762857272  
Option 1 ID : 7628571085  
Option 2 ID : 7628571086  
Option 3 ID : 7628571088  
Option 4 ID : 7628571087  
Status : Answered  
Chosen Option : 3

Q.12 Speciation takes place when variation occurs with:

- Ans
- 1. changes due to global warming
  - 2. climatic changes
  - 3. changes due to earthquakes
  - 4. geographical isolation

Question ID : 762857279  
Option 1 ID : 7628571116  
Option 2 ID : 7628571113  
Option 3 ID : 7628571114  
Option 4 ID : 7628571115  
Status : Answered  
Chosen Option : 4

Q.13 A current of 0.5 amperes flows through the filament of an electric bulb for 12 min. Calculate the amount of electric charge that flows through the circuit.

- Ans
- 1. 360 C
  - 2. 60 C
  - 3. 36 C
  - 4. 6 C

Question ID : 762857280  
Option 1 ID : 7628571119  
Option 2 ID : 7628571117  
Option 3 ID : 7628571120  
Option 4 ID : 7628571118  
Status : Answered  
Chosen Option : 1

Q.14 किरण एक 100 m लंबे तालाब में तैरता है। वह एक सिरे से तैरकर दूसरे सिरे तक जाने और उसी रास्ते से वापस आने में तय की गई 200 m की दूरी एक मिनट में तय करता है, किरण का औसत वेग ज्ञात कीजिए।

- Ans
- 1.  $0 \text{ m s}^{-1}$
  - 2.  $3.33 \text{ m s}^{-1}$
  - 3.  $1.66 \text{ m s}^{-1}$
  - 4.  $16.6 \text{ m s}^{-1}$

Question ID : 762857273  
Option 1 ID : 7628571091  
Option 2 ID : 7628571089  
Option 3 ID : 7628571090  
Option 4 ID : 7628571092  
Status : Answered  
Chosen Option : 2

Q.15 एक ध्वनि तरंग की आवृत्ति 1 kHz और तरंग दैर्घ्य 35 cm है। इसे 1.5 km की दूरी तय करने में लगभग कितना समय लगेगा?

- Ans
- 1. 1.2 सेकंड
  - 2. 2.1 सेकंड
  - 3. 3.4 सेकंड
  - 4. 4.3 सेकंड

Question ID : 762857274  
Option 1 ID : 7628571094  
Option 2 ID : 7628571093  
Option 3 ID : 7628571096  
Option 4 ID : 7628571095  
Status : Answered  
Chosen Option : 4



Q.16 एक परमाणु का विद्युत विन्यास 2, 8, 7 है। निम्नलिखित में से कौन सा तत्व रासायनिक रूप से इसके समान होगा? तत्वों की परमाणु संख्याएं कोष्ठक में दी गई हैं।

- Ans
- 1. Br (35)
  - 2. S (16)
  - 3. Ar (18)
  - 4. Se (34)

Question ID : 762857275  
Option 1 ID : 7628571099  
Option 2 ID : 7628571098  
Option 3 ID : 7628571097  
Option 4 ID : 7628571100  
Status : Answered  
Chosen Option : 1

Q.17 निम्नलिखित में से कौन सा हार्मोन पौधों में अंकुर की उस दिशा में कोशिकाओं की वृद्धि को उत्तेजित करता है, जो प्रकाश से दूर होती है?

- Ans
- 1. साइटोकाइनिन
  - 2. ऑक्सिन
  - 3. जिबरेलिन
  - 4. एब्सिसिक अम्ल

Question ID : 762857278  
Option 1 ID : 7628571110  
Option 2 ID : 7628571112  
Option 3 ID : 7628571109  
Option 4 ID : 7628571111  
Status : Not Answered  
Chosen Option : --

Q.18 हमारी मांसपेशियों में ऐंठन के दौरान इनमें से कौन सा निर्मित होता है?

- Ans
- 1. लैक्टिक अम्ल
  - 2. मैलिक अम्ल
  - 3. फॉर्मिक अम्ल
  - 4. एसिटिक एसिड

Question ID : 762857277  
Option 1 ID : 7628571108  
Option 2 ID : 7628571107  
Option 3 ID : 7628571105  
Option 4 ID : 7628571106  
Status : Not Answered  
Chosen Option : --

Q.19 If a net charge 'Q' flows across any cross section of a conductor in time 't', then the current 'I' is:

- Ans
- 1.  $Q \times t$
  - 2.  $Q - t$
  - 3.  $\frac{Q}{t}$
  - 4.  $\frac{t}{Q}$

Question ID : 762857271  
Option 1 ID : 7628571083  
Option 2 ID : 7628571084  
Option 3 ID : 7628571082  
Option 4 ID : 7628571081  
Status : Answered  
Chosen Option : 3

Q.20 A solution contains more  $H^+$  ions than  $OH^-$  ions. In this case the solution is \_\_\_\_\_.

- Ans
- 1. Basic
  - 2. Acidic
  - 3. amphoteric
  - 4. Neutral

Question ID : 762857276  
Option 1 ID : 7628571101  
Option 2 ID : 7628571102  
Option 3 ID : 7628571104  
Option 4 ID : 7628571103  
Status : Answered  
Chosen Option : 2



Q.21 किसी मिश्रण में A और B का अनुपात 2 : 5 है। जब A की 300 gms मात्रा और B की 400 gms मात्रा को आरंभिक मिश्रण में मिलाया जाता है, तो A और B का अनुपात बदलकर 1 : 2 हो जाता है। आरंभिक मिश्रण में A की मात्रा कितनी थी?

- Ans
- 1. 200 gms
  - 2. 300 gms
  - 3. 400 gms
  - 4. 500 gms

Question ID : 762857282  
Option 1 ID : 7628571125  
Option 2 ID : 7628571126  
Option 3 ID : 7628571127  
Option 4 ID : 7628571128  
Status : Answered  
Chosen Option : 3

Q.22 If  $2x - 3y = -1$  and  $5x - 4y = 15$  and both satisfied by  $x = 'a'$  and  $y = 'b'$ , then the value of 'a' is

- Ans
- 1. 10
  - 2. 4
  - 3. 7
  - 4. 1

Question ID : 762857284  
Option 1 ID : 7628571133  
Option 2 ID : 7628571135  
Option 3 ID : 7628571134  
Option 4 ID : 7628571136  
Status : Answered  
Chosen Option : 3

Q.23 The lengths of the three sides of a triangle are given as 14 cm, 9 cm and 7 cm. What is the area of this triangle?

- Ans
- 1.  $12\sqrt{5} \text{ cm}^2$
  - 2.  $32.5 \text{ cm}^2$
  - 3.  $32 \text{ cm}^2$
  - 4.  $18\sqrt{5} \text{ cm}^2$

Question ID : 762857286  
Option 1 ID : 7628571141  
Option 2 ID : 7628571142  
Option 3 ID : 7628571144  
Option 4 ID : 7628571143  
Status : Answered  
Chosen Option : 1

Q.24 किसी बेलन के आधार की त्रिज्या और ऊँचाई का अनुपात 8 : 3 है। किसी गोले की त्रिज्या, बेलन की त्रिज्या के तीन-चौथाई के बराबर है। बेलन और गोले के आयतनों का अनुपात ज्ञात कीजिए।

- Ans
- 1. 3 : 2
  - 2. 3 : 4
  - 3. 2 : 3
  - 4. 4 : 3

Question ID : 762857288  
Option 1 ID : 7628571152  
Option 2 ID : 7628571150  
Option 3 ID : 7628571151  
Option 4 ID : 7628571149  
Status : Answered  
Chosen Option : 3

Q.25 यदि  $\theta$  एक न्यून कोण है, और  $\cos\theta = 0.4$  है, तो  $\tan\theta$  का मान ज्ञात कीजिए।

- Ans
- 1.  $\sqrt{6}$
  - 2.  $\sqrt{5.75}$
  - 3. 2.5
  - 4.  $\sqrt{5.25}$

Question ID : 762857290  
Option 1 ID : 7628571157  
Option 2 ID : 7628571158  
Option 3 ID : 7628571159  
Option 4 ID : 7628571160  
Status : Answered  
Chosen Option : 4



Q.26 Factorise the expression given below:

$$x^3 - 8x^2 - 11x + 18$$

- Ans
- 1.  $(x-1)(x-2)(x+9)$
  - 2.  $(x-1)(x+3)(x-6)$
  - 3.  $(x-1)(x+2)(x-9)$
  - 4.  $(x+1)(x-2)(x-9)$

Question ID : 762857283  
Option 1 ID : 7628571129  
Option 2 ID : 7628571131  
Option 3 ID : 7628571132  
Option 4 ID : 7628571130  
Status : Answered  
Chosen Option : 3

Q.27 To draw a definite straight line, the number of points that should be given is

- Ans
- 1. 4
  - 2. 2
  - 3. 1
  - 4. 3

Question ID : 762857285  
Option 1 ID : 7628571140  
Option 2 ID : 7628571137  
Option 3 ID : 7628571138  
Option 4 ID : 7628571139  
Status : Answered  
Chosen Option : 2

Q.28 The decimal representation of  $\frac{1}{7}$  is given as

- Ans
- 1.  $0.\overline{142858}$
  - 2.  $0.\overline{142857}$
  - 3.  $0.\overline{142859}$
  - 4.  $0.\overline{142856}$

Question ID : 762857281  
Option 1 ID : 7628571123  
Option 2 ID : 7628571122  
Option 3 ID : 7628571124  
Option 4 ID : 7628571121  
Status : Answered  
Chosen Option : 2

Q.29 ABCD is a cyclic quadrilateral with  $\angle A = 73^\circ$ . What is the measure of  $\angle C$ ?

- Ans
- 1.  $107^\circ$
  - 2.  $73^\circ$
  - 3.  $77^\circ$
  - 4.  $17^\circ$

Question ID : 762857287  
Option 1 ID : 7628571148  
Option 2 ID : 7628571145  
Option 3 ID : 7628571147  
Option 4 ID : 7628571146  
Status : Answered  
Chosen Option : 1

Q.30 The mean of 32, 48 and another number is 45. What is that number?

- Ans
- 1. 57
  - 2. 50
  - 3. 55
  - 4. 60

Question ID : 762857289  
Option 1 ID : 7628571156  
Option 2 ID : 7628571153  
Option 3 ID : 7628571154  
Option 4 ID : 7628571155  
Status : Answered  
Chosen Option : 3

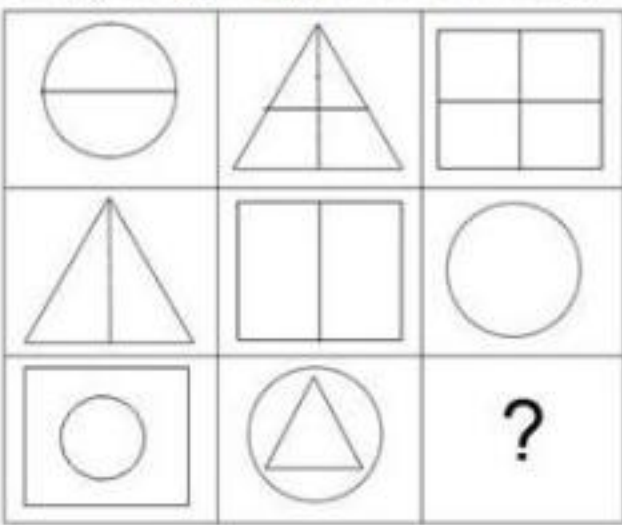
Q.31 एक पंक्ति में छह लड़कियां उत्तर की ओर मुँह करके बैठी हैं। डॉली मुक्ता के बाईं ओर बैठी है। मुक्ता के दाईं ओर 3 लड़कियां हैं। श्रेया दाईं ओर एकदम किनारे पर बैठी है। लया, डॉली के दाईं ओर ठीक बगल में बैठी है। लया और देविका, तथा भावना और मुक्ता के बीच केवल एक लड़की बैठी है। देविका के दाईं ओर ठीक बगल में कौन बैठी है?

- Ans
- 1. लया
  - 2. डॉली
  - 3. मुक्ता
  - 4. भावना

Question ID : 762857295  
Option 1 ID : 7628571177  
Option 2 ID : 7628571178  
Option 3 ID : 7628571180  
Option 4 ID : 7628571179  
Status : Answered  
Chosen Option : 4



Q.32 Study the given pattern carefully and select the figure that can replace the question mark (?) in it.

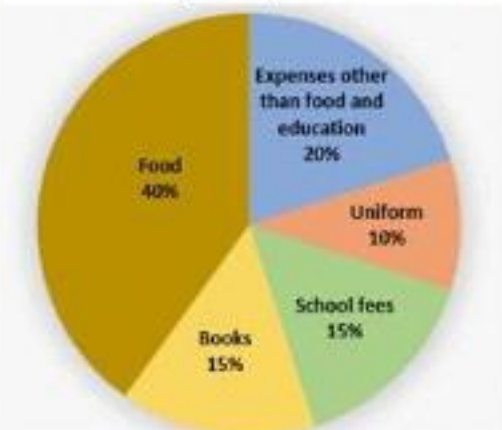


Ans

- 1.
- 2.
- 3.
- 4.

Question ID : 762857294  
 Option 1 ID : 7628571173  
 Option 2 ID : 7628571174  
 Option 3 ID : 7628571175  
 Option 4 ID : 7628571176  
 Status : Answered  
 Chosen Option : 4

Q.33 The following pie-chart shows the expenditure incurred in running an orphanage every month. Study the pie-chart and answer the given question based on it.



How much money is spent on the education of the orphan children in the first two months, if the total expenditure is ₹58,000 per month?

- Ans
- 1. ₹23,200
  - 2. ₹46,400
  - 3. ₹34,800
  - 4. ₹17,400

Question ID : 762857291  
 Option 1 ID : 7628571161  
 Option 2 ID : 7628571162  
 Option 3 ID : 7628571163  
 Option 4 ID : 7628571164  
 Status : Answered  
 Chosen Option : 2

Q.34 Select the number that can replace the question mark (?) in the following series.

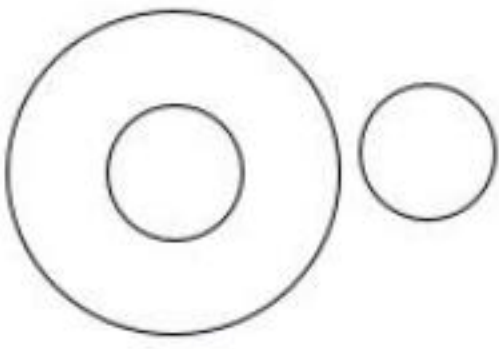
6, 12, 20, ?, 42

- Ans
- 1. 35
  - 2. 27
  - 3. 30
  - 4. 32

Question ID : 762857293  
 Option 1 ID : 7628571171  
 Option 2 ID : 7628571169  
 Option 3 ID : 7628571172  
 Option 4 ID : 7628571170  
 Status : Answered  
 Chosen Option : 3



Q.35 Which of the following options is best represented by the given Venn diagram?



- Ans
- 1. Football fans, Cricket players, Students
  - 2. Girls, Dancers, Singers
  - 3. Triangle, Quadrilateral, Square
  - 4. Protons, Electrons, Atoms

Question ID : 762857292  
Option 1 ID : 7628571166  
Option 2 ID : 7628571167  
Option 3 ID : 7628571165  
Option 4 ID : 7628571168  
Status : Answered  
Chosen Option : 3

Q.36 Which of the following methodologies ensures that development and operations go hand-in-hand?

- Ans
- 1. Development
  - 2. Operations Research
  - 3. DevOps
  - 4. React

Question ID : 762857298  
Option 1 ID : 7628571189  
Option 2 ID : 7628571190  
Option 3 ID : 7628571191  
Option 4 ID : 7628571192  
Status : Answered  
Chosen Option : 3

Q.37 \_\_\_\_\_ is a computer mouse which uses an LED light source to detect movement relative to the surface.

- Ans
- 1. Trackball mouse
  - 2. Laser mouse
  - 3. Mechanical mouse
  - 4. Optical mouse

Question ID : 762857296  
Option 1 ID : 7628571184  
Option 2 ID : 7628571182  
Option 3 ID : 7628571183  
Option 4 ID : 7628571181  
Status : Answered  
Chosen Option : 2

Q.38 The number of end-to-end connections required in a full mesh topology network with 15 nodes is:

- Ans
- 1. 105
  - 2. 15
  - 3. 210
  - 4. 120

Question ID : 762857300  
Option 1 ID : 7628571198  
Option 2 ID : 7628571199  
Option 3 ID : 7628571200  
Option 4 ID : 7628571197  
Status : Answered  
Chosen Option : 2

Q.39 Which of the following is a note-taking program in MS Office suite?

- Ans
- 1. Visio
  - 2. Outlook
  - 3. Access
  - 4. OneNote

Question ID : 762857297  
Option 1 ID : 7628571188  
Option 2 ID : 7628571187  
Option 3 ID : 7628571186  
Option 4 ID : 7628571185  
Status : Answered  
Chosen Option : 4



Q.40 A phenomenon in which a process spends more time on swapping pages rather than on executing is called:

- Ans
- 1. segmentation
  - 2. fragmentation
  - 3. paging
  - 4. thrashing

Question ID : 762857299  
Option 1 ID : 7628571193  
Option 2 ID : 7628571196  
Option 3 ID : 7628571194  
Option 4 ID : 7628571195  
Status : Answered  
Chosen Option : 3

Q.41 Select the most appropriate option to fill in the blanks.

Always take \_\_\_\_ extra pair of clothes and \_\_\_\_ umbrella when you go out of \_\_\_\_ house during \_\_\_\_ rainy season.

- Ans
- 1. a; an; the; the
  - 2. an; an; the; the
  - 3. an; a; the; a
  - 4. the; the; the; the

Question ID : 762857301  
Option 1 ID : 7628571202  
Option 2 ID : 7628571203  
Option 3 ID : 7628571201  
Option 4 ID : 7628571204  
Status : Answered  
Chosen Option : 2

Q.42 Select the option that expresses the given sentence in passive voice.

We shall definitely finish this project by the end of the month.

- Ans
- 1. This project is being definitely finished by the end of the month.
  - 2. This project shall be definitely finish by us by the end of the month.
  - 3. This project shall be definitely finished by us by the end of the month.
  - 4. This project is definitely finished by the end of the month.

Question ID : 762857303  
Option 1 ID : 7628571211  
Option 2 ID : 7628571212  
Option 3 ID : 7628571209  
Option 4 ID : 7628571210  
Status : Answered  
Chosen Option : 3

Q.43 Select the option that expresses the given sentence in reported speech.

I said to my mother, "Do not wait for me for dinner."

- Ans
- 1. I told my mother do not wait for me for dinner.
  - 2. I told my mother not to wait for her for dinner.
  - 3. I told my mother not wait for me for dinner.
  - 4. I told my mother not to wait for me for dinner.

Question ID : 762857304  
Option 1 ID : 7628571214  
Option 2 ID : 7628571216  
Option 3 ID : 7628571215  
Option 4 ID : 7628571213  
Status : Answered  
Chosen Option : 1

Q.44 Parts of the following sentence are given as options. Identify the part that has an error.

The Japan decluttering superstar Marie Kondo convinced many young Indians to clean out their cupboards.

- Ans
- 1. decluttering superstar Marie Kondo
  - 2. to clean out their cupboards.
  - 3. The Japan
  - 4. convinced many young Indians

Question ID : 762857305  
Option 1 ID : 7628571218  
Option 2 ID : 7628571220  
Option 3 ID : 7628571217  
Option 4 ID : 7628571219  
Status : Answered  
Chosen Option : 3



Q.45 Select the most appropriate option to fill in the blank.

This box is \_\_\_\_ heavy \_\_\_\_ I cannot lift it.

- Ans
- 1. so; as
  - 2. though; that
  - 3. so; that
  - 4. as; so

Question ID : 762857302  
Option 1 ID : 7628571205  
Option 2 ID : 7628571207  
Option 3 ID : 7628571208  
Option 4 ID : 7628571206  
Status : Answered  
Chosen Option : 3

Q.46 निम्नलिखित में से कौन सा शब्द स्त्रीलिंग नहीं है?

- Ans
- 1. अश्रु
  - 2. वस्तु
  - 3. दया
  - 4. नमता

Question ID : 762857309  
Option 1 ID : 7628571236  
Option 2 ID : 7628571235  
Option 3 ID : 7628571234  
Option 4 ID : 7628571233  
Status : Answered  
Chosen Option : 2

Q.47 सही विलोम युग्म का चयन कीजिये।

- Ans
- 1. निरर्थक-समर्थक
  - 2. आवर्तक-प्रवर्तक
  - 3. आवृत- निर्वृत
  - 4. आर्द्र-शुष्क

Question ID : 762857307  
Option 1 ID : 7628571228  
Option 2 ID : 7628571226  
Option 3 ID : 7628571227  
Option 4 ID : 7628571225  
Status : Answered  
Chosen Option : 4

Q.48 निम्नलिखित में से पर्यायवाची-शब्द-समूह का चयन कीजिये।

- Ans
- 1. आगार, निगार, आलय
  - 2. विरुद्ध, प्रत्यावर्तन, वापसी
  - 3. पुतली, अक्षितारा, कनीनिका
  - 4. संदली, पिंगल, तुंदिल

Question ID : 762857308  
Option 1 ID : 7628571230  
Option 2 ID : 7628571232  
Option 3 ID : 7628571231  
Option 4 ID : 7628571229  
Status : Answered  
Chosen Option : 3

Q.49 'निकृष्ट की मित्रता क्षणभंगुर होती है' कथन की लोकोक्ति है-

- Ans
- 1. चील के झोपड़े में मांस कहाँ
  - 2. ओछे की प्रीत बालू की भीत
  - 3. ओछे के घर जाना, जनम-जनम का ताना
  - 4. बने के सब यार हैं

Question ID : 762857310  
Option 1 ID : 7628571239  
Option 2 ID : 7628571238  
Option 3 ID : 7628571237  
Option 4 ID : 7628571240  
Status : Answered  
Chosen Option : 2



Q.50 निम्नलिखित में से तत्सम शब्द समूह का चयन कीजिये।

Ans

✗ 1. इंजन, अमचूर, आलस्य

✓ 2. धैर्य, धनिका, धूलि

✗ 3. पत्रिका, पाँच, पृष्ठ

✗ 4. कंकण, कोकिल, गाँव



Question ID : 762857306

Option 1 ID : 7628571221

Option 2 ID : 7628571224

Option 3 ID : 7628571223

Option 4 ID : 7628571222

Status : Not Answered

Chosen Option : --